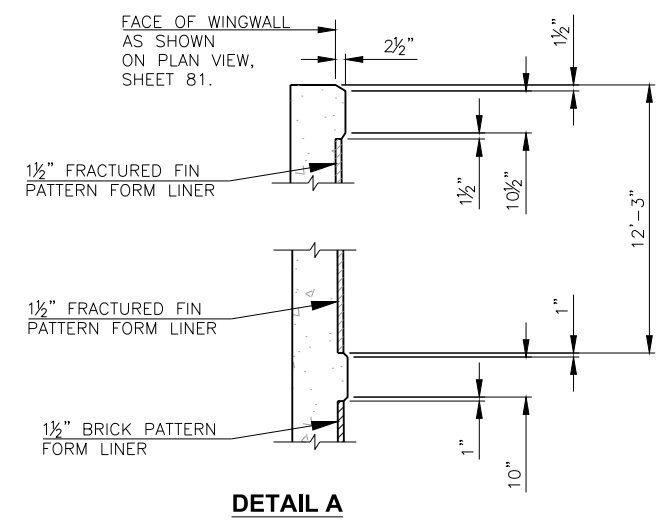
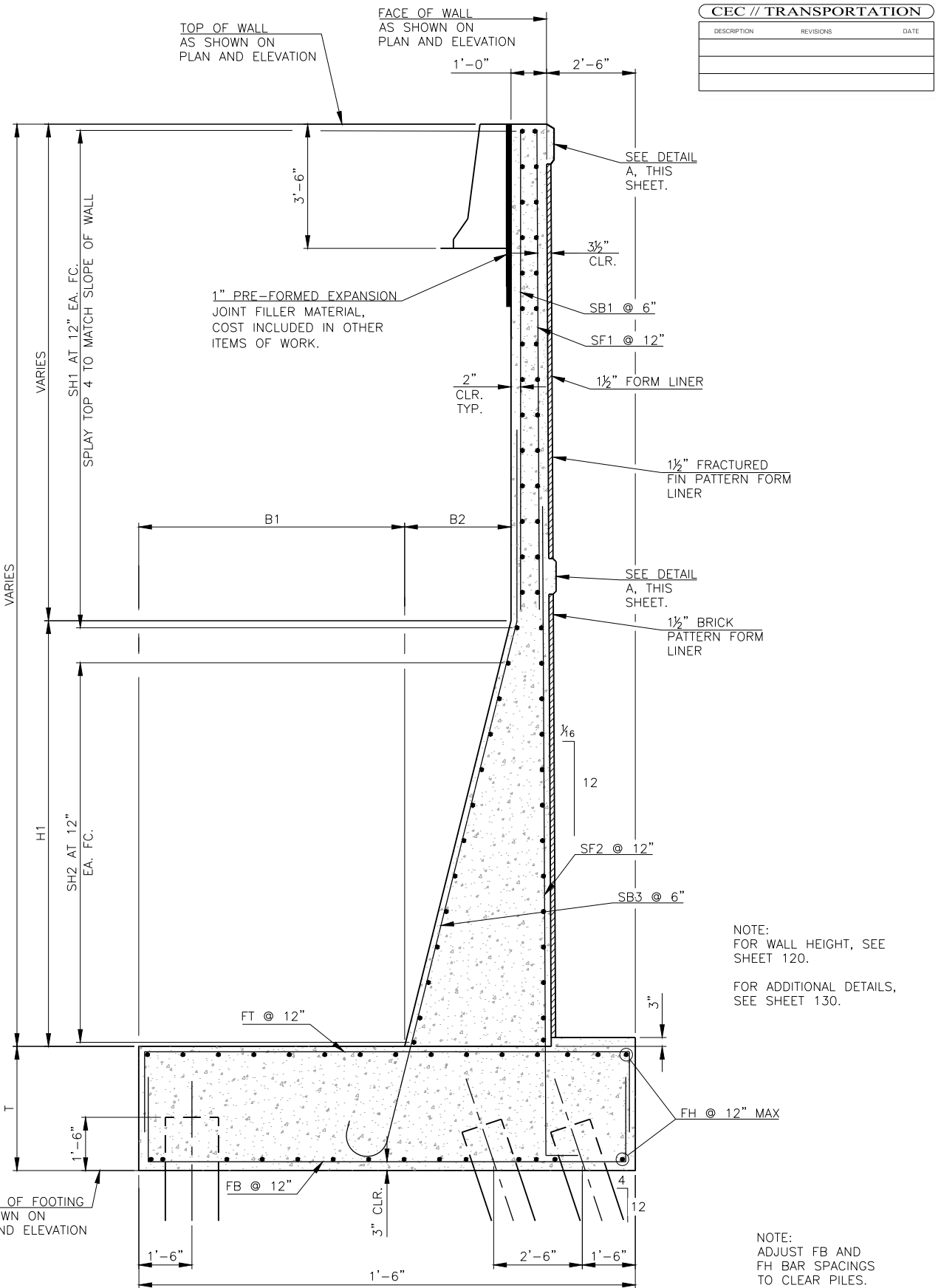
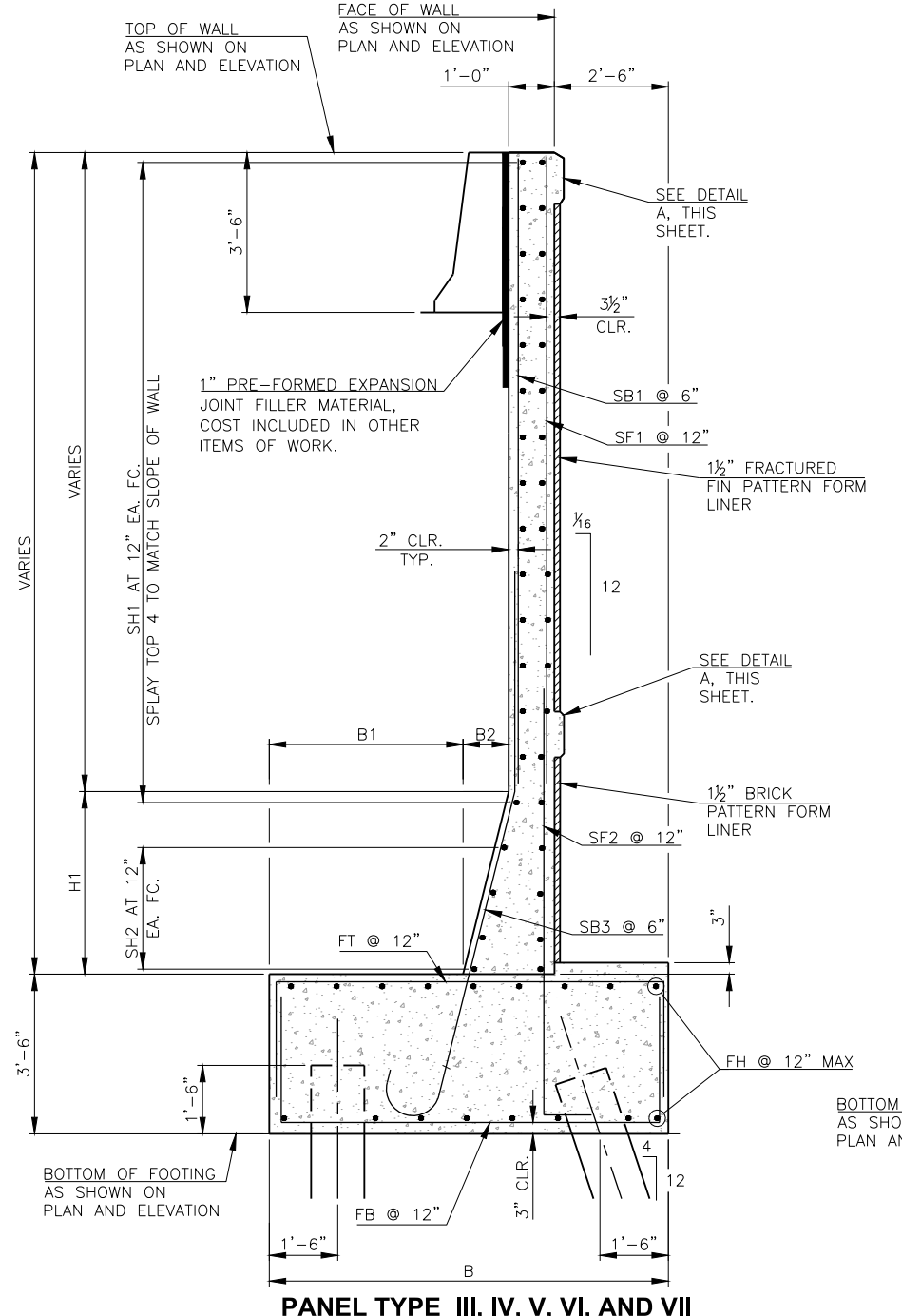
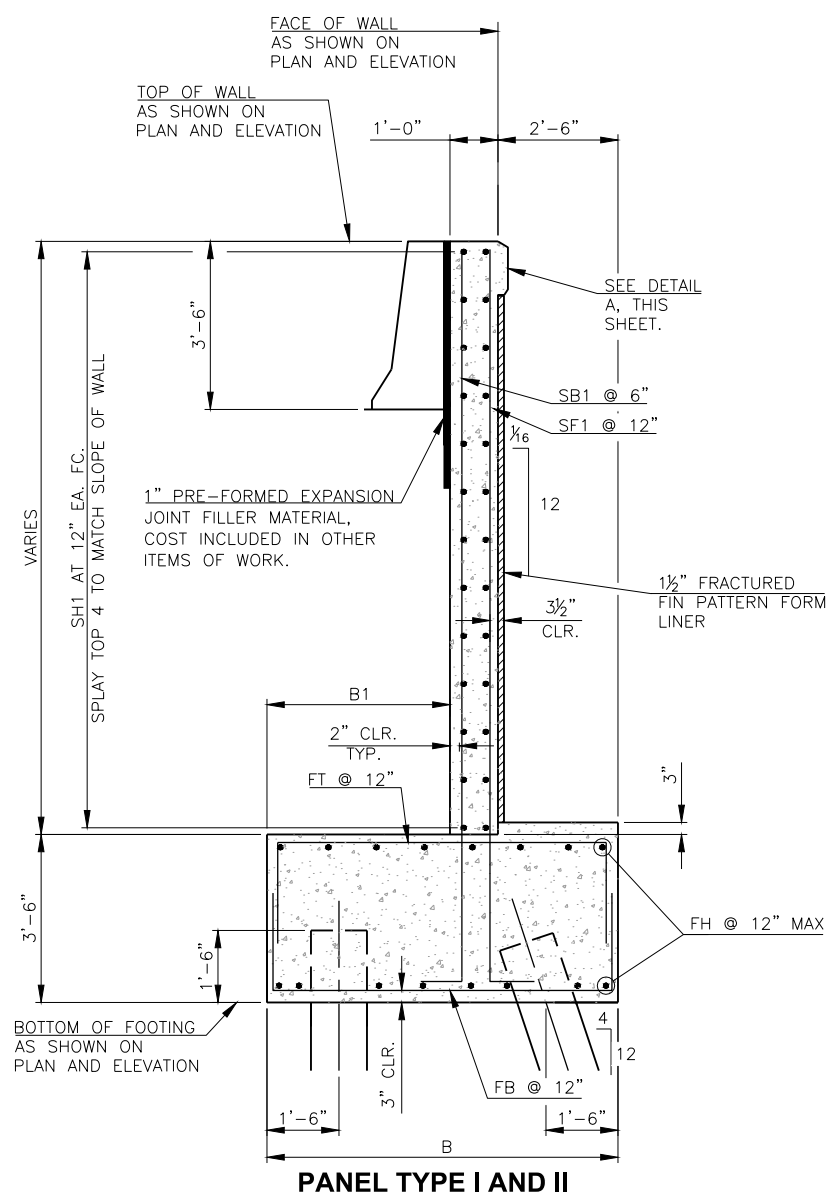


DESCRIPTION	REVISIONS	DATE



**PANEL TYPE DIMENSION SCHEDULE**

PANEL TYPE	B	B1	B2	T	H1
I	7'-6"	4'-0"			
II	9'-0"	5'-6"			
III	10'-0"	6'-0"	6"		2'-0"
IV	11'-0"	6'-6"	1'-0"		4'-0"
V	12'-0"	7'-0"	1'-6"		6'-0"
VI	12'-0"	6'-6"	2'-0"		8'-0"
VII	13'-0"	7'-0"	2'-6"		10'-0"
VIII	14'-0"	7'-6"	3'-0"	3'-6"	12'-0"
IX	15'-0"	8'-0"	3'-6"	3'-6"	14'-0"
X	16'-0"	8'-6"	4'-0"	4'-0"	16'-0"
XI	17'-0"	7'-6"	6'-0"	4'-0"	18'-0"
XII	18'-0"	7'-4"	7'-3"	4'-6"	20'-0"



NOTE:  
FOR WALL HEIGHT, SEE SHEET 120.  
FOR ADDITIONAL DETAILS, SEE SHEET 130.

NOTE:  
ADJUST FB AND FH BAR SPACINGS TO CLEAR PILES.

DESIGN	B.J.K.	CROSTOWN BOULEVARD OVER CLASSEN BLVD.	OKLAHOMA COUNTY
DRAWN	K.E.B.		
CHECKED	B.J.K.		
APPROV.	T.A.C.		
SQUAD	CEC		

**RETAINING WALL SECTIONS**

JOB PIECE NO. 17428(88) SHEET NO. 133